

TANKJET 27500 AND 27500-R TANK CLEANING NOZZLE FEATURES AND BENEFITS

- With rotation driven by the reactionary force of the cleaning liquid, these rotating nozzles provide excellent cleaning and rinsing and are especially well-suited to clean-in-place (CIP) systems
- Spray angles range from 180° to 360° and can be used to clean specific areas or the entire tank interior
- Made of corrosion- and chemical-resistant PTFE fluoropolymer resin, both models offer peak performance when used with debris-free liquid and deliver greater impact than static spray balls
- The rotating spray heads on 27500-R nozzles can be easily removed from the body for inspection and maintenance
- 27500-R nozzles with 1/2 in. and 3/4 in. inlet connections are also available in carbon-filled PTFE for improved thermal characteristics and higher mechanical strength
- ATEX-certified versions available



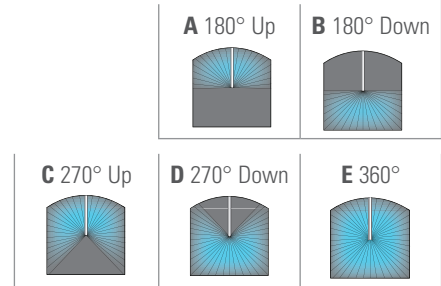
TankJet 27500 tank cleaning nozzle



TankJet 27500-R tank cleaning nozzle



SPRAY COVERAGE



MOUNTING OPTIONS

Vertical	↑	↓
Horizontal	←	→
45° Up	↖	↗
45° Down	↘	↙

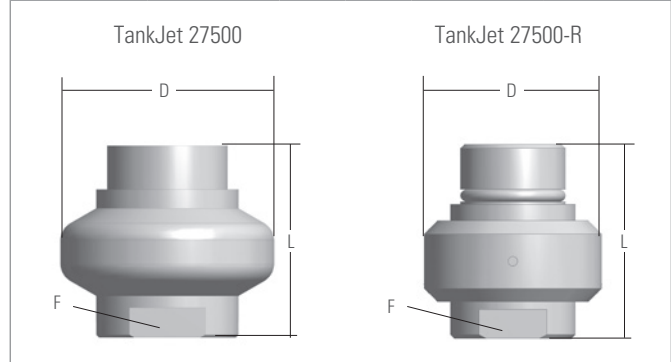
SPECIFICATIONS

TankJet Tank Cleaning Nozzle	27500	27500-R
Max. tank diameter:	15 to 20 ft. (4.3 to 6.0 m)	15 to 20 ft. (4.3 to 6.0 m)
Operating principle:	Fluid-driven reactionary force	Fluid-driven reactionary force
Flow rate:	9.0 to 224 gpm (34 to 850 lpm)	9.0 to 224 gpm (34 to 850 lpm)
Operating pressure:	10.0 to 50 psi (0.7 to 3.4 bar)	10.0 to 50 psi (0.7 to 3.4 bar)
Max. temperature:	200°F (93°C)	200°F (93°C)
Materials:	PTFE fluoropolymer resin or CTEF	PTFE fluoropolymer resin or CTEF
Inlet connection:	3/4" to 2" NPT or BSPT (F)	3/4" or 1" NPT or BSPT (F)
Optional accessories:	Strainers, recommended mesh size: 100 (150 micron) See page G2	

For lances, mounting kits, adapters and more, see page G6

DIMENSIONS AND WEIGHT

Model	Inlet Conn. in.	D (Dia.) in. (mm)	L in. (mm)	F (Flats) in. (mm)
27500, 27500-R	3/4	2.25 (57.2)	2.63 (66.6)	1.31 (33.3)
27500, 27500-R	1	2.75 (69.8)	3 (76.2)	1.63 (41.5)
27500	2	4.88 (123.8)	4.38 (111)	2.75 (69.8)

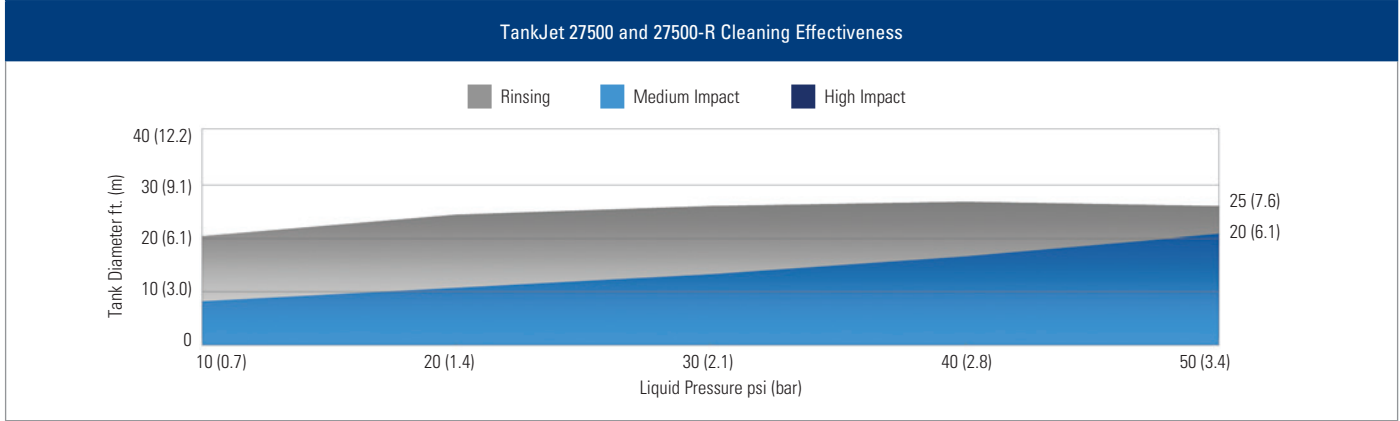


Additional sizes available:
Page C16 – 3 in. conn.
Page E4 – 3/8 and 1/2 in. conn.

IDEAL FOR CLEANING:

- Broke chests
- Chemical tanks
- PCB washers
- Pharmaceutical tanks
- Process tanks

PERFORMANCE DATA



Model		Inlet Conn.	Capacity Size	Orifice Dia. in. (mm)	Liquid Flow Capacity gpm (lpm)					Max. Tank Dia. ft. (m)
27500	27500-R				10 psi (0.7 bar)	20 psi (1.4 bar)	30 psi (2.1 bar)	40 psi (2.8 bar)	50 psi (3.4 bar)	
•	•	3/4	18	0.094 (2.4)	9.0 (34)	12.7 (48)	15.6 (59)	18 (68)	20 (76)	15 (4.3)
•	•		32	0.156 (4.0)	16.0 (61)	23 (89)	28 (103)	32 (126)	36 (136)	15 (4.3)
•	•		46	0.234 (6.0)	23 (87)	33 (130)	40 (148)	46 (182)	51 (196)	15 (4.3)
•	•	1	50	0.156 (4.0)	25 (95)	35 (140)	43 (161)	50 (197)	56 (215)	18 (5.5)
•	•		70	0.219 (5.6)	35 (133)	49 (195)	61 (225)	70 (275)	78 (300)	18 (5.5)
•	•		90	0.297 (7.5)	45 (172)	64 (250)	78 (290)	90 (355)	101 (385)	18 (5.5)
•	•	2	100	0.234 (6.0)	50 (191)	71 (280)	87 (320)	100 (395)	112 (425)	20 (6.0)
•	•		125	0.266 (6.7)	63 (240)	88 (350)	108 (400)	125 (495)	140 (530)	20 (6.0)
•	•		150	0.313 (7.9)	75 (285)	106 (420)	130 (480)	150 (590)	168 (640)	20 (6.0)
•	•		175	0.375 (9.5)	88 (335)	124 (490)	152 (560)	175 (690)	196 (745)	20 (6.0)
•	•		200	0.422 (10.7)	100 (380)	141 (560)	173 (645)	200 (790)	224 (850)	20 (6.0)

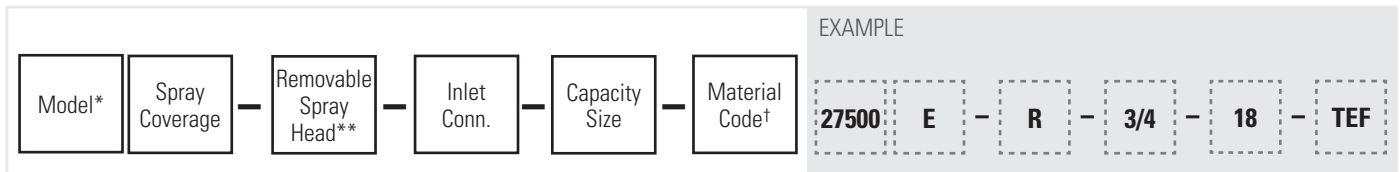
Suggested optimum operating range: 20 to 40 psi (1.5 to 2.8 bar).

ADDITIONAL SIZES AVAILABLE

Page C16 – 3 in. conn.
Page E4 – 3/8 and 1/2 in. conn.

ORDERING INFORMATION

TANKJET 27500 AND 27500-R TANK CLEANING NOZZLES



*Add B prior to the nozzle type for BSPT connections.
 **Leave blank for standard version.
 †Indicate CTEF for carbon-filled PTFE on 3/4 in. inlet connections for 27500-R.